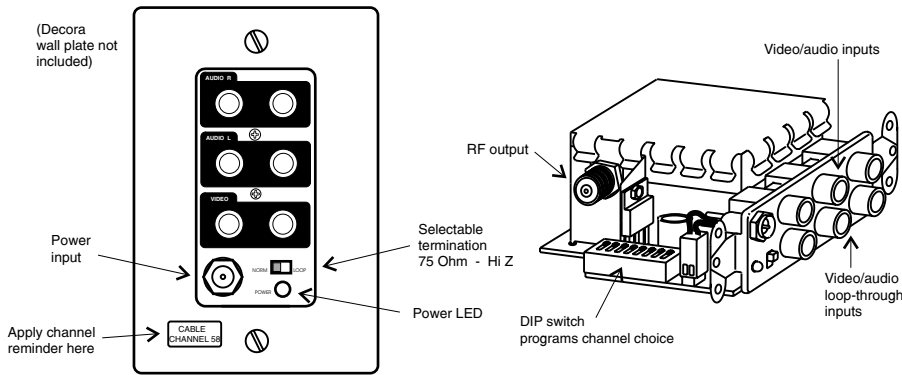
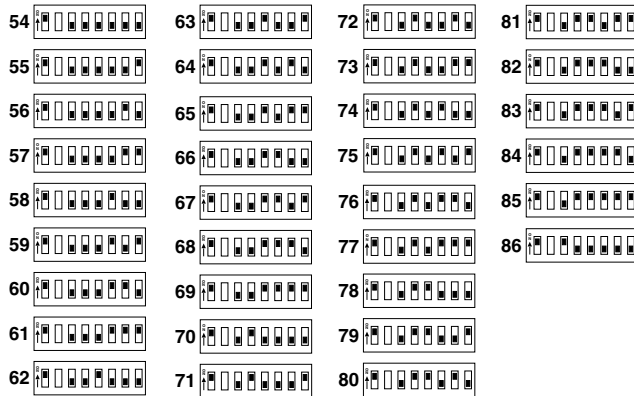
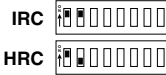


Model 5114

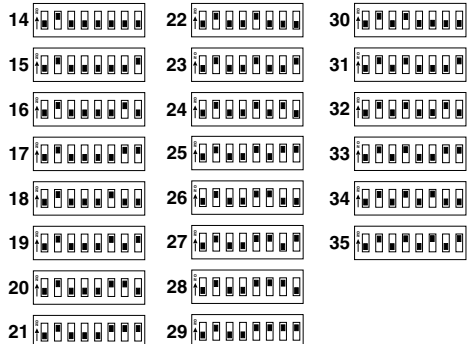


Channel Selector Guide

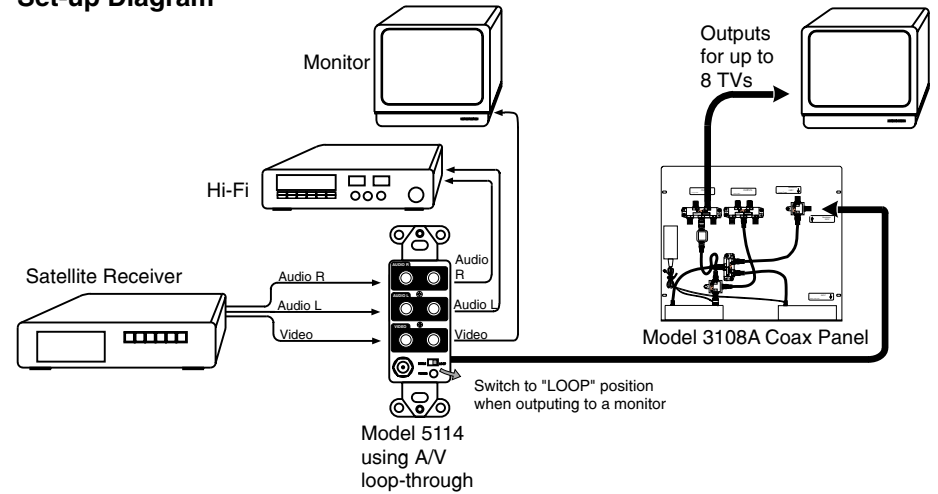
CABLE CHANNELS



UHF CHANNELS



Set-up Diagram



Specifications

Output Input	25 dBmV Video: 1Vp-p @ 75 Ohm Format: NTSC
Input connectors	3 RCA (Video+Audio Left+Audio Right)
Loop-thru connectors	3 RCA (Video+Audio Left+Audio Right)
Video Termination	75 or > 1 M in "Loop" position (switch selectable)
Frequency Range	UHF: Channel 14 to 35 CATV: Channel 54 to 86
Frequency Stability	± 5 kHz
Temperature Operating Storage	0° C to 50° C -30° C to 50° C
Power Supply	Model 350-067 (included) Input: 120 VAC, 60 Hz Output: 12 VAC, 400 mA
Dimensions	3.75"(H) x 1.75"(W) x 3.00"(D)
Weight	1 lb
Shipping Weight	2 lbs